



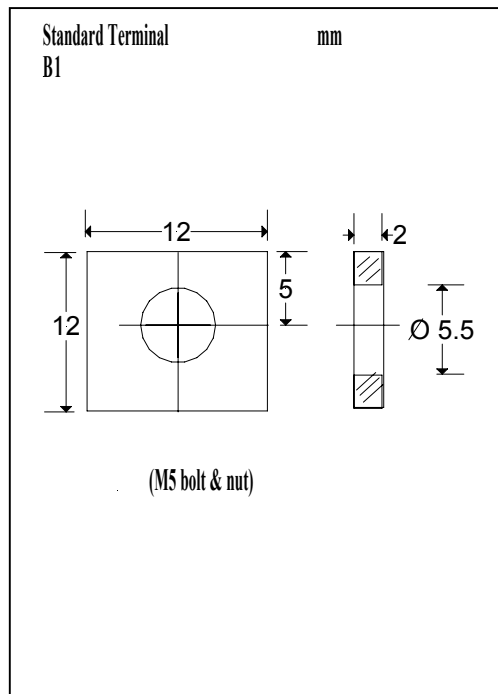
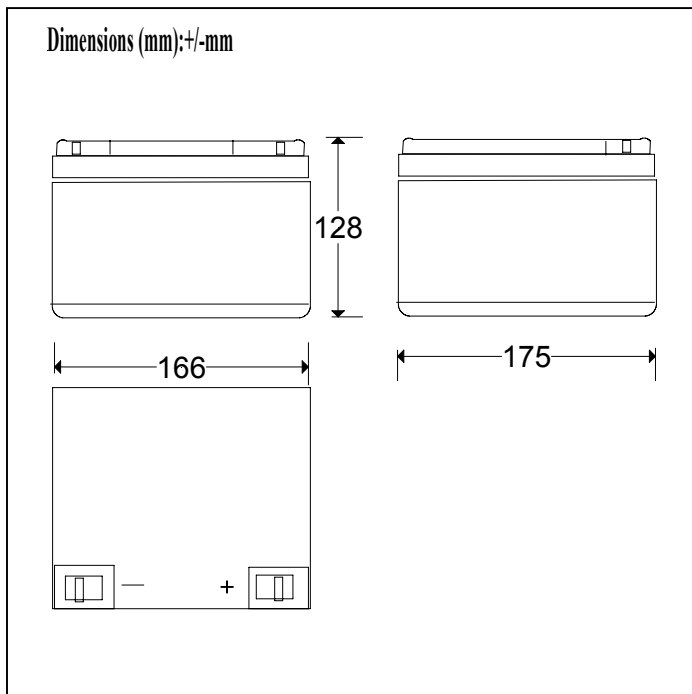
Search Electronics, Inc.
 113 N. First Ave., Upland, CA, USA
 Phone: 1-909-949-4215 Fax: 1-909-985-8229
www.searchelec.com

UB12260 (12V26Ah)

NOTE



PHYSICAL SPECIFICATIONS	
Nominal Voltage Nominal Capacity (20HR)	12V 26Ah
Dimensions	Length Width Height Total Height
	166 +/-1mm(6.54 inches) 176 +/-1mm(6.89 inches) 128 +/-2mm(4.96 inches) 128 +/-2mm(4.96 inches)
Weight	Approx. 8.7 kg (20.0lbs)
Standard Terminal	B1-M5 bolt & nut





ELECTRICAL SPECIFICATIONS

Capacity	20 hour rate (0.35A)	26.0 Ah	Max. Discharge Current (5 sec.)		150A
	10 hour rate (0.63A)	23.8 Ah	Constant Voltage Charge	Cycle	Initial Charging Current less than 7.8A Voltage 14.40V ~ 15.00V at 20°C(68°F) Temp. Coefficient-30mV/°C
5 hour rate (1.12A)	21.6 Ah				
Capacity affected by Temperature	40°C(104°F)	105%	Standby		Initial Charging Current less than 7.8A Voltage 13.50V ~ 13.80V at 20°C (68°F) Temp. Coefficient-20mV/°C
	20°C(68°F)	100%			
	0°C(32°F)	85%			
Internal Resistance Fully charged battery (20°C, 68°F) 10mΩ					

